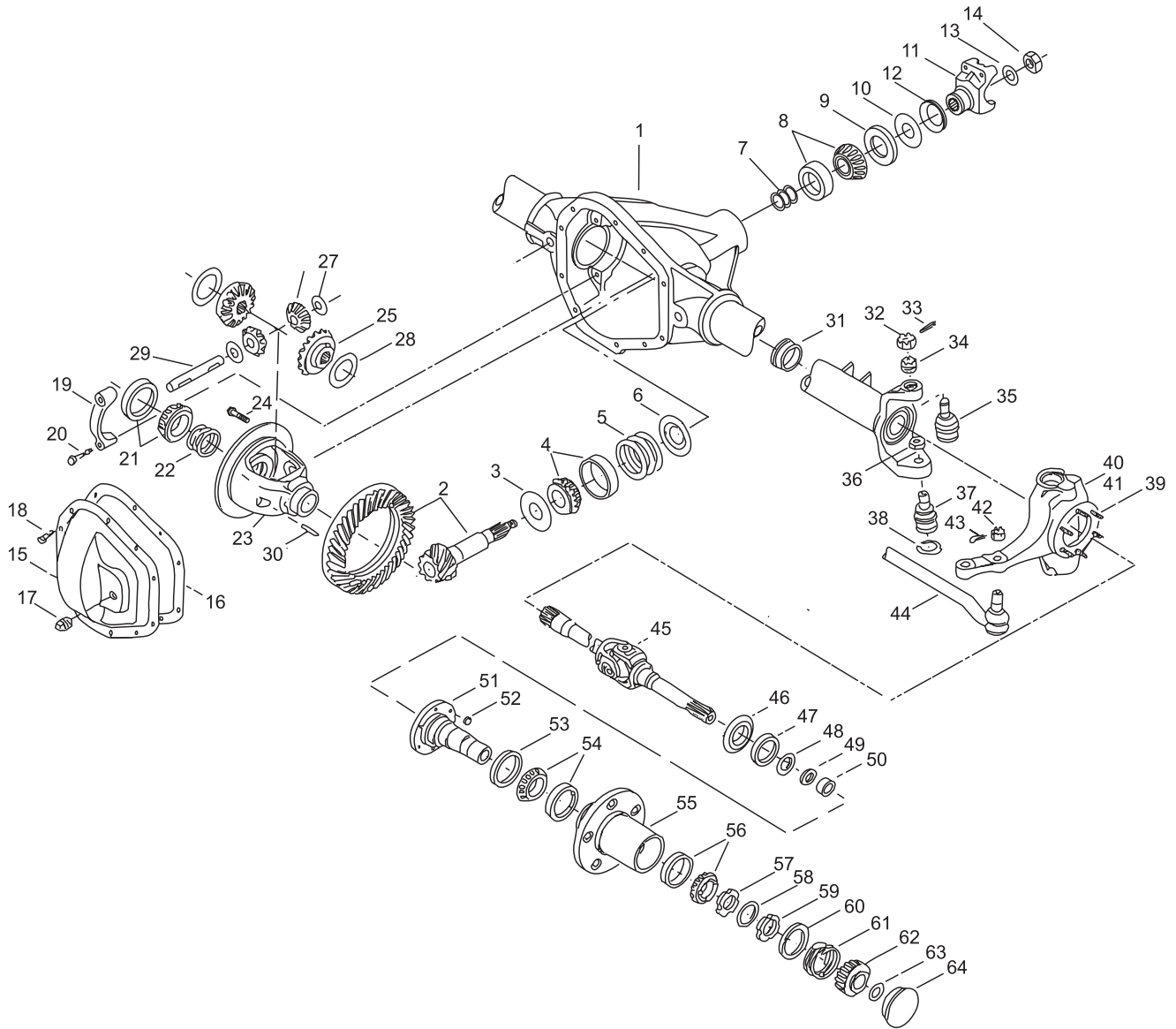


Jeep / Eagle 1978-1992

**Model 44 /216
Front Axles for**

**4 x 2, Military,
J10, J20,
Cherokee,
Honcho,
Wagoneer,
Grand Wagoneer**

Jeep Model 44 /216 Front Axles Exploded View



Jeep Model 44 /216 Front Axles Parts Listing

ITEM NO.	PART NUMBER	DESCRIPTION	ITEM NO.	PART NUMBER	DESCRIPTION
1	— ⁽³⁾	Housing – Axle Service		706576X	KIT – Left Knuckle Assy (inc 32,33,34,35,36,37,38,39,41)
2	— ⁽¹⁾	Drive Pinion & Gear Assembly			
3	30764	Slinger – Inner Pinion Bearing		706116X	KIT – Socket Assembly (inc 32,33,34,35,36,37,38)
4	706031X	KIT – Inner Pinion Bearing			
	706376X	PKG – Diff & Pinion Bearing Shim (inc items 5, 7, 12, 13, 16, 22)	32	44101	Nut – Hex Slotted
	706358X	PKG – Pinion Bearing Shim (inc items 5, 7, 12, 13, 16)	33	500024-6	Cotter Pin
5	—	Inner Pinion Bearing Shims (see shim packages)	34	35417	Adjusting Split Ring
			35	40112	Socket Assembly
6	30765	Baffle – Pinion Bearing	36	35566	Nut – Hex Jam
7	—	Outer Pinion Bearing Shims (see shim packages)	37	40113	Socket Assembly
			38	35928	Snap Ring
8	706030X	KIT – Outer Pinion Bearing	39	36326-2	Bolt – Hex (qty 6)
9	13575	Slinger – Outer Pinion Bearing	40	38532	Right Knuckle
10	39118	Seal – Pinion Oil	41	38534	Left Knuckle
11	— ⁽²⁾	End Yoke or Assembly (inc 12)	42	— ⁽³⁾	Nut – Hex Slotted
12	— ⁽²⁾	Slinger – End Yoke	43	— ⁽³⁾	Cotter Pin
13	30186	Washer – Pinion Nut	44	— ⁽⁵⁾	Tie Rod Assembly
14	30185	Pinion Nut	45	— ⁽¹⁾	Shaft & Joint Assembly
	706141X	KIT – Carrier Cover (inc items 15, 16, 17, 18)	46	36364	Slinger – Spindle Yoke
15	39015	Carrier Cover		706527X	KIT – Spindle Seal & Bearing (inc items 47, 48, 49, 50)
16	34685	Gasket – Carrier Cover		706570X	KIT – Spindle (inc items 47, 48, 49, 50, 51)
17	36918	Plug – Carrier Cover	47	38128	Oil Seal
18	34279	Bolt – Carrier Cover	48	36361	Oil Seal (block vee)
19	— ⁽³⁾	Differential Bearing Cap	49	38106	Spacer – Wheel Bearing Spindle
20	48632-1	Bolt – Differential Bearing Cap	50	550759	Bearing Assembly – Needle
21	706032X	KIT – Differential Bearing	51	38428	Spindle – Wheel Bearing
22	706086X	PKG – Diff Bearing Shim (inc 16)	52	— ⁽³⁾	Nut – Brake Mounting
23	— ⁽⁴⁾	Case – Differential (std)	53	36366	Oil Seal
24	30187	Bolt – Drive Gear (qty 10)	54	706074X	KIT – Inner Wheel Bearing
25	31487	Gear – Differential (std)	55	— ⁽³⁾	Wheel Hub
26	17717	Pinion – Differential (std)	56	706111X	KIT – Outer Wheel Bearing
27	13338-3	Thrustwasher – Diff Pinion (std)	57	21588X	Nut & Pin Assembly – Inner Lock
28	32121	Thrustwasher – Diff Gear (std)	58	36569	Lock Nut
29	39194	Shaft – Differential (std)	59	31139	Nut – Wheel Bearing Adjusting
30	13449	Lock – Differential Shaft	60	32589	Plate – Spring Retaining
31	— ⁽²⁾	Seal & Guide Tube	61	35218	Spring – Pressure
	706575X	KIT – Right Knuckle Assembly (inc 32,33,34,35,36,37,38,39,40)	62	42667	Gear – Axle Drive
			63	31624	Snap Ring
			64	36858	Hub Cap

(1) See "Bill of Material Table" on next page

(2) See "Variable Parts Table" within this section

(3) Contact Vehicle Manufacturer

(4) Not Sold Separately

(5) See Spicer Chassis Catalog for part number and additional steering parts

Jeep Model 44 /216 Front Axles

Bill of Material Table

Axle			Axle Kits				Shaft & Joint Assy.	
Bill of Material	Diff. Type	Ratio	Ring Gear & Pinion Kit ⁽⁷⁾	Differential			Right Hand Shaft Assy.	Left Hand Shaft Assy.
				Case Assy. Kit ⁽⁸⁾	Case Kit	Inner Parts Kit		
1978-79 Wagoneer / Cherokee								
603683-3	Standard	4.09	706017-5X	706021X	706025X	706027X	660091-3	660091-4
603683-5	Standard	3.07	706017-1X	706020X	706024X	706027X	660091-3	660091-4
603683-6	Standard	3.54	706017-3X	706020X	706024X	706027X	660091-3	660091-4
603683-7	Standard	2.72	706017-19X	706020X	706024X	706027X	660091-3	660091-4
1978-79 J10, J20, Honcho, Cherokee Wide Track								
603685-1	Standard	4.09	706017-5X	706021X	706025X	706027X	660091-5	660091-6
603685-2	Standard	4.89	706017-7X	706021X	706025X	706027X	660091-5	660091-6
603685-5	Standard	3.73	706017-4X	706020X	706024X	706027X	660091-5	660091-6
603685-6	Standard	3.54	706017-3X	706020X	706024X	706027X	660091-5	660091-6
603685-7	Standard	3.07	706017-1X	706020X	706024X	706027X	660091-5	660091-6
1980 J10, J20, Wide Track Cherokee								
610089-1	Standard	4.09	706017-5X	706021X	706025X	706027X	660091-23	660091-22
610089-2	Standard	4.89	706017-7X	706021X	706025X	706027X	660091-23	660091-22
610089-3	Standard	3.31	706017-2X	706020X	706024X	706027X	660091-23	660091-22
610089-5	Standard	3.73	706017-4X	706020X	706024X	706027X	660091-23	660091-22
610089-6	Standard	3.54	706017-3X	706020X	706024X	706027X	660091-23	660091-22
610089-8	Standard	2.72	706017-19X	706020X	706024X	706027X	660091-23	660091-22
1980 Wagoneer / Cherokee								
610090-1	Standard	3.73	706017-4X	706020X	706024X	706027X	660091-9	660091-24
610090-2	Standard	3.31	706017-2X	706020X	706024X	706027X	660091-9	660091-24
610090-3	Standard	4.09	706017-5X	706021X	706025X	706027X	660091-9	660091-24
610090-7	Standard	2.72	706017-19X	706020X	706024X	706027X	660091-9	660091-24
1981-85 J10, J20, Wide Track Cherokee								
610139-1	Standard	4.09	706017-5X	706021X	706025X	706027X	660091-23	660091-22
610139-2	Standard	4.89	706017-7X	706021X	706025X	706027X	660091-23	660091-22
610139-3	Standard	3.31	706017-2X	706020X	706024X	706027X	660091-23	660091-22
610139-5	Standard	3.73	706017-4X	706020X	706024X	706027X	660091-23	660091-22
610139-6	Standard	3.54	706017-3X	706020X	706024X	706027X	660091-23	660091-22
610139-8	Standard	2.72	706017-19X	706020X	706024X	706027X	660091-23	660091-22
1981-85 Wagoneer / Cherokee								
610140-1	Standard	3.73	706017-4X	706020X	706024X	706027X	660091-9	660091-24
610140-2	Standard	3.31	706017-2X	706020X	706024X	706027X	660091-9	660091-24
610140-3	Standard	4.09	706017-5X	706021X	706025X	706027X	660091-9	660091-24
610140-4	Standard	4.89	706017-7X	706021X	706025X	706027X	660091-9	660091-24
610140-7	Standard	2.72	706017-19X	706020X	706024X	706027X	660091-9	660091-24
610140-9	Standard	3.73	706017-4X	706020X	706024X	706027X	660091-9	660091-24
610140-10	Standard	4.89	706017-7X	706021X	706025X	706027X	660091-9	660091-24
610140-11	Standard	4.09	706017-5X	706021X	706025X	706027X	660091-9	660091-24
1985 Grand Wagoneer								
610227-1	Standard	2.72	706017-19X	706020X	706024X	706027X	660091-9	660091-24
610227-2	Standard	3.31	706017-2X	706020X	706024X	706027X	660091-9	660091-24
1985 4X2, Military - Dead Front								
610228	-	-	-	-	-	-	-	-

NOTE: All Ring & Pinion Kits with base number 706930 are reverse spiral bevel
 (7) See Ring Gear & Pinion Kits in XGI Catalog for ratio & tooth combinations.
 (8) See Differential Case Assy Kits in XGI Catalog for spline data & ratios.

Jeep Model 44 /216 Front Axles

Bill of Material Table

Axle			Axle Kits				Shaft & Joint Assy.	
Bill of Material	Diff. Type	Ratio	Ring Gear & Pinion Kit ⁽⁷⁾	Differential			Right Hand Shaft Assy.	Left Hand Shaft Assy.
				Case Assy. Kit ⁽⁸⁾	Case Kit	Inner Parts Kit		
1986 J10								
610246-3	Standard	3.31	706017-2X	706020X	706024X	706027X	660091-23	660091-22
610246-8	Standard	2.72	706017-19X	706020X	706024X	706027X	660091-23	660091-22
610246-12	Standard	3.31	706017-2X	706020X	706024X	706027X	660091-23	660091-22
610246-17	Standard	2.72	706017-19X	706020X	706024X	706027X	660091-23	660091-22
1986 Grand Wagoneer								
610247-1	Standard	2.72	706017-19X	706020X	706024X	706027X	660091-9	660091-24
610247-2	Standard	3.31	706017-2X	706020X	706024X	706027X	660091-9	660091-24
610247-3	Standard	2.72	706017-19X	706020X	706024X	706027X	660091-9	660091-24
610247-4	Standard	3.31	706017-2X	706020X	706024X	706027X	660091-9	660091-24
1986 J20								
610248-2	Standard	4.89	706017-7X	706021X	706025X	706027X	660091-23	660091-22
610248-3	Standard	3.31	706017-2X	706020X	706024X	706027X	660091-23	660091-22
610248-5	Standard	3.73	706017-4X	706020X	706024X	706027X	660091-23	660091-22
610248-11	Standard	4.89	706017-7X	706021X	706025X	706027X	660091-23	660091-22
610248-12	Standard	3.31	706017-2X	706020X	706024X	706027X	660091-23	660091-22
610248-14	Standard	3.73	706017-4X	706020X	706024X	706027X	660091-23	660091-22
1987-87 1/2 J10								
610284-1	Standard	3.31	706017-2X	706020X	706024X	706027X	660091-23	660091-22
610284-2	Standard	2.72	706017-19X	706020X	706024X	706027X	660091-23	660091-22
610284-3	Standard	3.31	706017-2X	706020X	706024X	706027X	660091-23	660091-22
610284-4	Standard	2.72	706017-19X	706020X	706024X	706027X	660091-23	660091-22
1987-87 1/2 J20								
610285-1	Standard	4.89	706017-7X	706021X	706025X	706027X	660091-23	660091-22
610285-2	Standard	3.31	706017-2X	706020X	706024X	706027X	660091-23	660091-22
610285-3	Standard	3.73	706017-4X	706020X	706024X	706027X	660091-23	660091-22
610285-4	Standard	4.89	706017-7X	706021X	706025X	706027X	660091-23	660091-22
610285-5	Standard	3.31	706017-2X	706020X	706024X	706027X	660091-23	660091-22
610285-6	Standard	3.73	706017-4X	706020X	706024X	706027X	660091-23	660091-22
1987-88 Grand Wagoneer								
610283-1	Standard	2.72	706017-19X	706020X	706024X	706027X	660091-9	660091-24
610283-2	Standard	3.31	706017-2X	706020X	706024X	706027X	660091-9	660091-24
610283-3	Standard	2.72	706017-19X	706020X	706024X	706027X	660091-9	660091-24
610283-4	Standard	3.31	706017-2X	706020X	706024X	706027X	660091-9	660091-24
1988 1/2-92 Grand Wagoneer								
610325-1	Standard	2.72	706017-19X	706020X	706024X	706027X	660091-9	660091-24
610325-2	Standard	3.31	706017-2X	706020X	706024X	706027X	660091-9	660091-24
610325-3	Standard	2.72	706017-19X	706020X	706024X	706027X	660091-9	660091-24
610325-4	Standard	3.31	706017-2X	706020X	706024X	706027X	660091-9	660091-24

NOTE: All Ring & Pinion Kits with base number 706930 are reverse spiral bevel

(7) See Ring Gear & Pinion Kits in XGI Catalog for ratio & tooth combinations.

(8) See Differential Case Assy Kits in XGI Catalog for spline data & ratios.

Jeep Model 44 /216 Front Axles Variable Parts Listing

Kits & Parts - Use With All Applications							
Description & Item Number (Refer to "Exploded View" at the front of this section)			Bills of Material				
			603683	603685 610089	610090	610139	610140 610227
1	End Yoke or Assembly (inc 12)	11	2-4-8091X	2-4-8091X	2-4-8091X	2-4-8091X	2-4-8091X
2	Slinger – End Yoke	12	41498	41498	41498	41498	41498
3	Seal & Guide Tube	31	620257	620216	620257	620216	620257
			610228	610246	610247	610248	610283
1	End Yoke or Assembly (inc 12)	11	—	2-4-8091-1X	2-4-8091-1X	2-4-8091-1X	2-4-6781-1
2	Slinger – End Yoke	12	—	41498	41498	41498	—
3	Seal & Guide Tube	31	—	620216	620257	620216	620257
			610284 610285	610325			
1	End Yoke or Assembly (inc 12)	11	2-4-6781-1	2-4-6781-1			
2	Slinger – End Yoke	12	—	—			
3	Seal & Guide Tube	31	620216	620257			