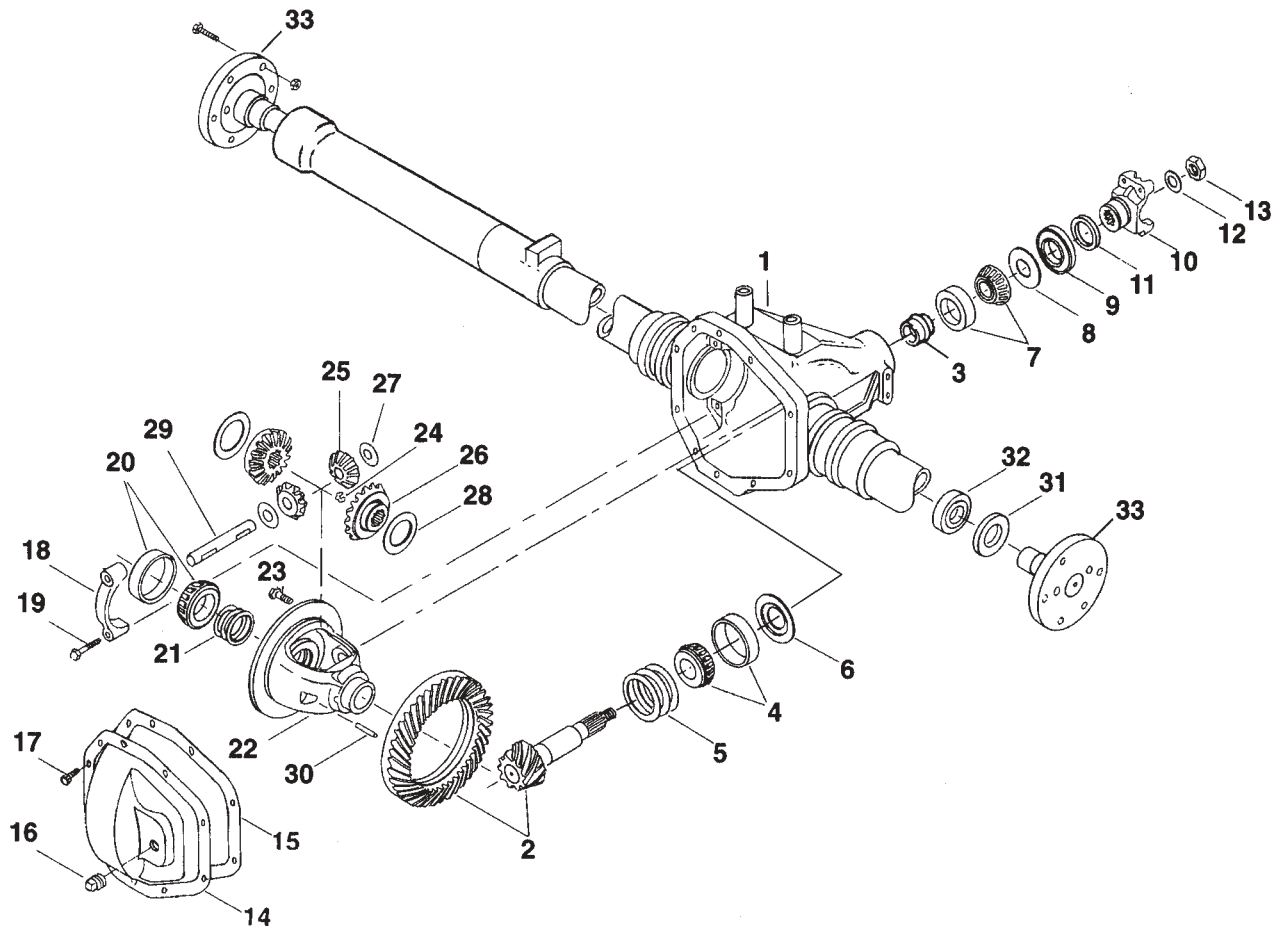


Ford 1990-1997

Model 28 /174 Front Axles for

Aerostar

Ford Model 28 /174 Front Axles Exploded View



Ford Model 28 /174 Front Axles Parts Listing

ITEM NO.	PART NUMBER	DESCRIPTION	ITEM NO.	PART NUMBER	DESCRIPTION
1	— ⁽³⁾	Housing – Axle Service	15	38615	RTV Silicone Sealant
2	— ⁽¹⁾	Drive Pinion & Gear Assembly	16	41874	Plug – Carrier Cover
3	620878-1	Collapsible Spacer	17	40286-5	Bolt – Carrier Cover (qty 10)
	707223X	PKG – Diff & Pinion Bearing Shim (inc items 3, 5, 12, 13, 21, 24)	18	— ⁽⁴⁾	Cap – Differential Bearing
4	706123X	KIT – Inner Pinion Bearing	19	620752	Bolt – Differential Bearing Cap
5	— ⁽⁴⁾	Inner Pinion Bearing Shims (see shim packages)	20	706893X	KIT – Differential Bearing
	707222X	PKG – Inner Pinion Bearing Shim (inc items 3, 5, 12, 13, 24)	21	706896X	PKG – Diff Bearing Shim (inc 15, 24)
6	43734	Baffle	22	— ⁽⁴⁾	Case – Differential (std)
7	706894X	KIT – Outer Pinion Bearing	23	41221	Bolt – Drive Gear (qty 10)
8	36714	Slinger – Pinion Bearing Outer	24	42570	Snap Ring
9	40554	Seal – Pinion Oil	25	32926	Pinion – Differential
10	2-1-2651X	Companion Flange Assy (inc 11)	26	40380	Gear – Differential
11	232001	Slinger – Companion Flange	27	34096	Thrustwasher – Differential Pinion
12	30186	Washer – Pinion Nut	28	620875	Thrustwasher – Differential Gear
13	30185	Pinion Nut	29	41648	Shaft – Differential
	707224X	KIT – Carrier Cover (inc 14, 17)	30	13449	Lock – Differential Shaft
14	43008	Carrier Cover	31	45916	Oil Seal
			32	565987	Bearing Assembly
			33	— ⁽¹⁾	Shaft & Joint Assembly

(1) See "Bill of Material Table" below

(3) Contact Vehicle Manufacturer

(4) Not Sold Separately

Bill of Material Table

Axle			Axle Kits				Shaft & Joint Assy.	
Bill of Material	Diff. Type	Ratio	Ring Gear & Pinion Kit ⁽⁷⁾	Differential			Right Hand Shaft Assy.	Left Hand Shaft Assy.
				Case Assy. Kit ⁽⁸⁾	Case Kit	Inner Parts Kit		
1990-92 Aerostar								
610303-1	Standard	3.73	707221-1X	706974X	706975X	706890X	43159	43157
610303-2	Standard	3.27	707221-2X	706974X	706975X	706890X	43159	43157
1992 1/2 Aerostar								
610369-1	Standard	3.73	707221-1X	706974X	706975X	706890X	44102	44100
610369-2	Standard	3.27	707221-2X	706974X	706975X	706890X	44102	44100
1992 1/2-97 Aerostar								
610448-1	Standard	3.73	707221-1X	706974X	706975X	706890X	44102	44100
610448-2	Standard	3.27	707221-2X	706974X	706975X	706890X	44102	44100

(7) See Ring Gear & Pinion Kits in XGI Catalog for ratio & tooth combinations.

(8) See Differential Case Assy Kits in XGI Catalog for spline data & ratios.