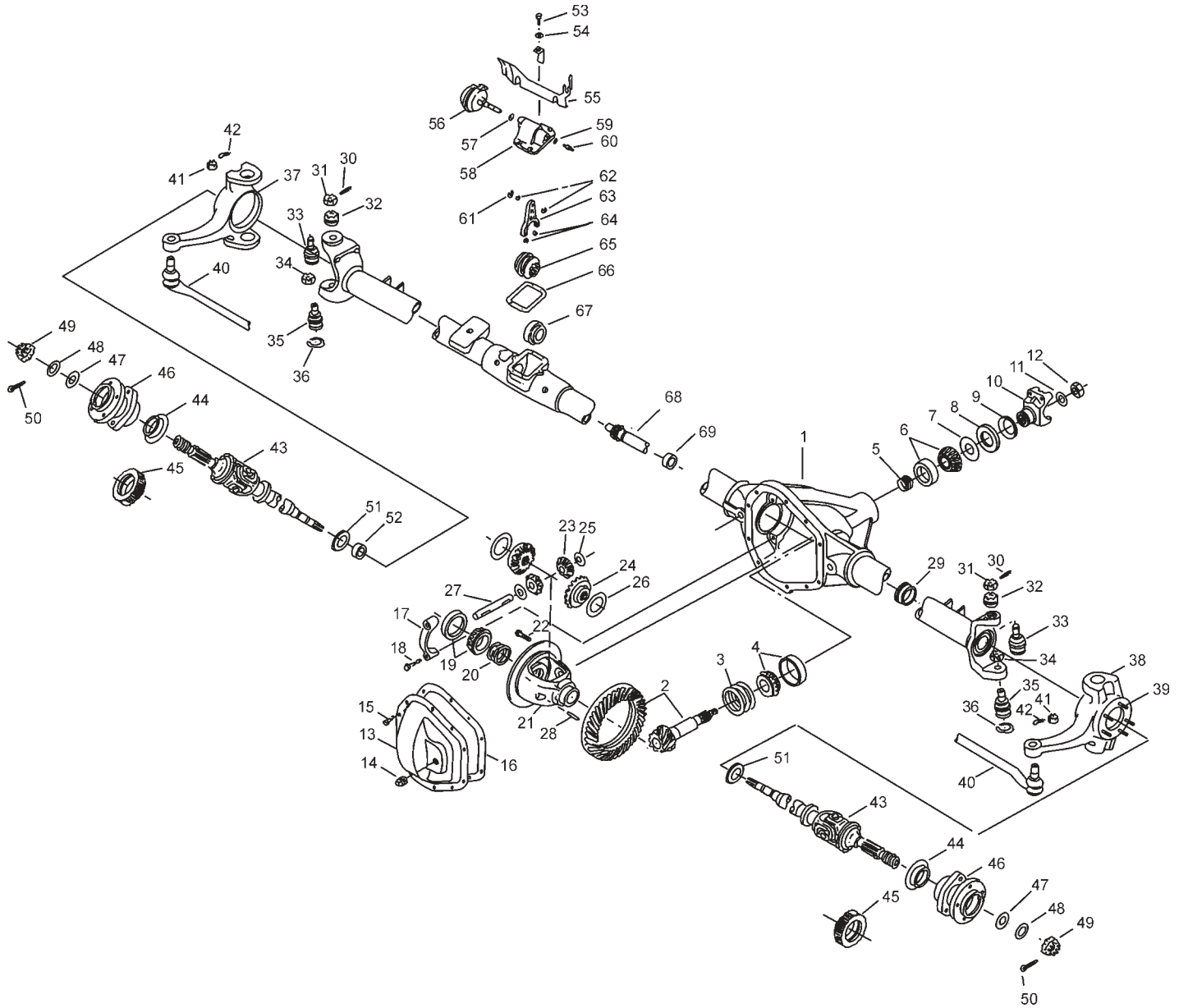


Dodge / Chrysler 1994-1998 1/2

**Model 60 /248 Front
Disconnect Axles for**

**D3500, W2500, W3500
Air Force Tow Vehicle**

Dodge Model 60 /248 Disconnect Front Axles Exploded View



Dodge Model 60 /248 Disconnect Front Axles Parts Listing

ITEM NO.	PART NUMBER	DESCRIPTION	ITEM NO.	PART NUMBER	DESCRIPTION
1	— ⁽³⁾	Housing – Axle Service	36	620343	Snap Ring
2	— ⁽¹⁾	Drive Pinion & Gear Assembly	37	— ⁽³⁾	Knuckle (RH)
3	701126X	PKG – Inner Pinion Shim	38	— ⁽³⁾	Knuckle (LH)
4	706046X	KIT – Inner Pinion Bearing	39	45524	Bolt – Knuckle
5	45658	Collapsible Spacer	40	— ⁽⁵⁾	Tie Rod Assembly
6	706045X	KIT – Outer Pinion Bearing	41	— ⁽⁵⁾	Nut – Slotted
7	42737	Thrustwasher – Bearing	42	— ⁽⁵⁾	Cotter Pin
8	— ⁽²⁾	Seal – Pinion Oil	43	— ⁽¹⁾	Shaft & Joint Assembly
9	— ⁽²⁾	Slinger – End Yoke	44	45520	Slinger
10	— ⁽²⁾	End Yoke Assembly (inc 9)		— ⁽²⁾	Shaft & Slinger Assembly
11	30275	Washer – Pinion Nut	45	— ⁽²⁾	Shaft/Slinger/Tone Ring Assy (ABS)
12	30271	Pinion Nut	46	— ⁽³⁾	Hub Assembly
	— ⁽²⁾	KIT – Carrier Cover	47	— ⁽²⁾	Spacer – Flat
13	— ⁽⁴⁾	Carrier Cover	48	45523	Washer – Flat
14	43180	Plug – Carrier Cover	49	46085	Slotted Nut
15	34822	Bolt – Carrier Cover (qty 10)	50	500025-10	Cotter Pin
16	38615	RTV Silicone Sealant	51	—	Oil Seal
17	— ⁽³⁾	Differential Bearing Cap	52	43337	Bushing
18	48632-1	Bolt – Differential Bearing Cap	53	500396-10	Bolt – Disconnect Assembly
19	706047X	KIT – Differential Bearing	54	500357-9	Lockwasher – Disconnect Assembly
20	708012	PKG – Differential Bearing Shims	55	43424	Protection Shield
21	— ⁽¹⁾	Case – Differential		— ⁽³⁾	Disconnect Cover & Motor Assembly
22	40638	Bolt – Drive Gear (qty 12)	56	— ⁽⁴⁾	Motor Assembly
23	— ⁽²⁾	Pinion – Differential	57	— ⁽⁴⁾	O-Ring
24	— ⁽²⁾	Gear – Differential	58	— ⁽⁴⁾	Cover – Housing
25	34730	Thrustwasher – Differential Pinion	59	— ⁽⁴⁾	O-Ring
26	— ⁽²⁾	Thrustwasher – Differential Gear	60	— ⁽⁴⁾	Switch Assembly
27	30263	Shaft – Differential	61	— ⁽⁴⁾	Snap Ring
28	44810	Lock – Differential Shaft	62	— ⁽⁴⁾	Snap Ring
29	— ⁽²⁾	Seal – Tube (left side)	63	— ⁽⁴⁾	Shift Fork
	707469X	KIT – Socket Assembly	64	— ⁽⁴⁾	Clip
30	— ⁽²⁾	Cotter Pin	65	— ⁽²⁾	Clutch Collar
31	44101	Nut – Hex Slotted	66	41494	Gasket
32	44507	Bushing – 0° Caster	67	— ⁽²⁾	Seal – Tube (right side)
33	40126	Upper Socket	68	— ⁽²⁾	Output Shaft
34	44133	Lock Nut	69	— ⁽²⁾	Bushing / Bearing
35	44627	Lower Socket			

(1) See "Bill of Material Table" on next page

(2) See "Variable Parts Table" within this section

(3) Contact Vehicle Manufacturer

(4) Not Sold Separately

(5) See Spicer Chassis Catalog for part number and additional steering parts

Dodge Model 60 /248 Disconnect Front Axles

Bill of Material Table

Axle			Axle Kits				Shaft & Joint Assy.	
Bill of Material	Diff. Type	Ratio	Ring Gear & Pinion Kit ⁽⁷⁾	Differential			Right Hand Shaft Assy.	Left Hand Shaft Assy.
				Case Assy. Kit ⁽⁸⁾	Case Kit	Inner Parts Kit		
1994 D3500 (Dead Front)								
610427	-	-	-	-	-	-	-	-
1994-94 1/2 W2500 HD								
610426-1	Standard	3.54	708009-1	707339X	706040X	707340X	76627X	76628X
610426-2	Standard	4.10	708009-2	707339X	706040X	707340X	76627X	76628X
610440-1	Standard	3.54	708009-1	707339X	706040X	707340X	76471X	76472X
610440-2	Standard	4.10	708009-2	707339X	706040X	707340X	76471X	76472X
1994-94 1/2 W3500								
610428-4	Standard	3.54	708009-1	707339X	706040X	707340X	76471X	76472X
610428-5	Standard	4.10	708009-2	707339X	706040X	707340X	76471X	76472X
1995 D3500 (Dead Front) ABS								
610541	-	-	-	-	-	-	-	-
1995-95 1/2 W2500 HD								
610539-1	Standard	3.54	708009-1	707339-1X	706040X	707340-1X	76627X	76628X
610539-2	Standard	4.10	708009-2	707339-1X	706040X	707340-1X	76627X	76628X
1995-95 1/2 W3500								
610540-1	Standard	3.54	708009-1	707339X	706040X	707340X	76627X	76628X
610540-2	Standard	4.10	708009-2	707339X	706040X	707340X	76627X	76628X
1995-96 1/2 D3500 (Dead Front)								
610530	-	-	-	-	-	-	-	-
1995-96 Air Force Tow Vehicle Non-ABS								
610532-1	Standard	7.17	707345-3X	706037X	706041X	706043X	76471X	76472X
610532-2	Standard	7.17	707345-3X	707380X	706041X	707340-1X	76471X	76472X
1995-96 W2500 HD								
610518-1	Standard	3.54	708009-1	707339-1X	706040X	707340-1X	76471X	76472X
610518-2	Standard	4.10	708009-2	707339-1X	706040X	707340-1X	76471X	76472X
1995-96 W3500								
610517-1	Standard	3.54	708009-1	707339-1X	706040X	707340-1X	76471X	76472X
610517-2	Standard	4.10	708009-2	707339-1X	706040X	707340-1X	76471X	76472X
1996 D3500 (Dead Front) ABS								
610606	-	-	-	-	-	-	-	-
610621	-	-	-	-	-	-	-	-
1996 W2500 HD								
610604-1	Standard	3.54	708009-1	707339-1X	706040X	707340-1X	76627X	76628X
610604-2	Standard	4.10	708009-2	707339-1X	706040X	707340-1X	76627X	76628X
1996 W3500								
610605-1	Standard	3.54	708009-1	707339-1X	706040X	707340-1X	76627X	76628X
610605-2	Standard	4.10	708009-2	707339-1X	706040X	707340-1X	76627X	76628X
1996 1/2 Air Force Tow Vehicle Non-ABS								
610622-1	Standard	7.17	707345-3X	706037X	706041X	706043X	76471X	76472X
1996 1/2 W2500 HD								
610616-1	Standard	3.54	708009-1	707339-1X	706040X	707340-1X	76471X	76472X
610616-2	Standard	4.10	708009-2	707339-1X	706040X	707340-1X	76471X	76472X
610617-1	Standard	3.54	708009-1	707339-1X	706040X	707340-1X	76627X	76628X
610617-2	Standard	4.10	708009-2	707339-1X	706040X	707340-1X	76627X	76628X

(7) See Ring Gear & Pinion Kits in XGI Catalog for ratio & tooth combinations.

(8) See Differential Case Assy Kits in XGI Catalog for spline data & ratios.

Dodge Model 60 /248 Disconnect Front Axles

Bill of Material Table

Axle			Axle Kits				Shaft & Joint Assy.	
Bill of Material	Diff. Type	Ratio	Ring Gear & Pinion Kit ⁽⁷⁾	Differential			Right Hand Shaft Assy.	Left Hand Shaft Assy.
				Case Assy. Kit ⁽⁸⁾	Case Kit	Inner Parts Kit		
1996 1/2 W3500								
610618-1	Standard	3.54	708009-1	707339-1X	706040X	707340-1X	76471X	76472X
610618-2	Standard	4.10	708009-2	707339-1X	706040X	707340-1X	76471X	76472X
610619-1	Standard	3.54	708009-1	707339-1X	706040X	707340-1X	76627X	76628X
610619-2	Standard	4.10	708009-2	707339-1X	706040X	707340-1X	76627X	76628X
1997 D3500 (Dead Front)								
610639	-	-	-	-	-	-	-	-
610731	-	-	-	-	-	-	-	-
1997 D3500 (Dead Front) ABS								
610640	-	-	-	-	-	-	-	-
610732	-	-	-	-	-	-	-	-
1997 W2500 HD								
610635-1	Standard	3.54	708009-1	707339-1X	706040X	707340-1X	76471X	76472X
610635-2	Standard	4.10	708009-2	707339-1X	706040X	707340-1X	76471X	76472X
610636-1	Standard	3.54	708009-1	707339-1X	706040X	707340-1X	76627X	76628X
610636-2	Standard	4.10	708009-2	707339-1X	706040X	707340-1X	76627X	76628X
610708-1	Standard	3.54	708009-1	707339-1X	706040X	707340-1X	76471X	76472X
610708-2	Standard	4.10	708009-2	707339-1X	706040X	707340-1X	76471X	76472X
610727-1	Standard	3.54	708009-1	707339-1X	706040X	707340-1X	76471X	76472X
610727-2	Standard	4.10	708009-2	707339-1X	706040X	707340-1X	76471X	76472X
610728-1	Standard	3.54	708009-1	707339-1X	706040X	707340-1X	76627X	76628X
610728-2	Standard	4.10	708009-2	707339-1X	706040X	707340-1X	76627X	76628X
610745-1	Standard	3.54	708009-1	707339-1X	706040X	707340-1X	76471X	76472X
610745-2	Standard	4.10	708009-2	707339-1X	706040X	707340-1X	76471X	76472X
610746-1	Standard	3.54	708009-1	707339-1X	706040X	707340-1X	76627X	76628X
610746-2	Standard	4.10	708009-1	707339-1X	706040X	707340-1X	76627X	76628X
1997 W3500								
610637-1	Standard	3.54	708009-1	707339-1X	706040X	707340-1X	76471X	76472X
610637-2	Standard	4.10	708009-2	707339-1X	706040X	707340-1X	76471X	76472X
610638-1	Standard	3.54	708009-1	707339-1X	706040X	707340-1X	76627X	76628X
610638-2	Standard	4.10	708009-2	707339-1X	706040X	707340-1X	76627X	76628X
1997 1/2 Air Force Tow Vehicle Non-ABS								
610714-1	Standard	7.17	707345-3X	706037X	706041X	706043X	76471X	76472X
1997 1/2 W2500 HD								
610738-1	Standard	3.54	708009-1	707339-1X	706040X	707340-1X	76471X	76472X
610738-2	Standard	4.10	708009-2	707339-1X	706040X	707340-1X	76471X	76472X
610739-1	Standard	3.54	708009-1	707339-1X	706040X	707340-1X	76627X	76628X
610739-2	Standard	4.10	708009-2	707339-1X	706040X	707340-1X	76627X	76628X
1997 1/2 W3500								
610729-1	Standard	3.54	708009-1	707339-1X	706040X	707340-1X	76471X	76472X
610729-2	Standard	4.10	708009-2	707339-1X	706040X	707340-1X	76471X	76472X
610730-1	Standard	3.54	708009-1	707339-1X	706040X	707340-1X	76627X	76628X
610730-2	Standard	4.10	708009-2	707339-1X	706040X	707340-1X	76627X	76628X

(7) See Ring Gear & Pinion Kits in XGI Catalog for ratio & tooth combinations.

(8) See Differential Case Assy Kits in XGI Catalog for spline data & ratios.

Dodge Model 60 /248 Disconnect Front Axles

Bill of Material Table

Axle			Axle Kits				Shaft & Joint Assy.	
Bill of Material	Diff. Type	Ratio	Ring Gear & Pinion Kit ⁽⁷⁾	Differential			Right Hand Shaft Assy.	Left Hand Shaft Assy.
				Case Assy. Kit ⁽⁸⁾	Case Kit	Inner Parts Kit		
1998 D3500 (Dead Front)								
610724	-	-	-	-	-	-	-	-
610812	-	-	-	-	-	-	-	-
1998 D3500 (Dead Front) ABS								
610725	-	-	-	-	-	-	-	-
610813	-	-	-	-	-	-	-	-
1998 W2500 HD								
610808-1	Standard	3.54	708009-1	707339-1X	706040X	707340-1X	76471X	76472X
610808-2	Standard	4.10	708009-2	707339-1X	706040X	707340-1X	76471X	76472X
610810-1	Standard	3.54	708009-1	707339-1X	706040X	707340-1X	76471X	76472X
610810-2	Standard	4.10	708009-2	707339-1X	706040X	707340-1X	76471X	76472X
1998-98 1/2 W2500 HD								
610719-1	Standard	3.54	708009-1	707339-1X	706040X	707340-1X	76471X	76472X
610719-2	Standard	4.10	708009-2	707339-1X	706040X	707340-1X	76471X	76472X
1998-98 1/2 W3500								
610720-1	Standard	3.54	708009-1	707339-1X	706040X	707340-1X	76471X	76472X
610720-2	Standard	4.10	708009-2	707339-1X	706040X	707340-1X	76471X	76472X
610722-1	Standard	3.54	708009-1	707339-1X	706040X	707340-1X	76471X	76472X
610722-2	Standard	4.10	708009-2	707339-1X	706040X	707340-1X	76471X	76472X
610723-1	Standard	3.54	708009-1	707339X	706040X	707340X	76471X	76472X
610723-2	Standard	4.10	708009-2	707339X	706040X	707340X	76471X	76472X
1998 1/2 W3500								
610809-1	Standard	3.54	708009-1	707339-1X	706040X	707340-1X	76471X	76472X
610809-2	Standard	4.10	708009-2	707339-1X	706040X	707340-1X	76471X	76472X
610811-1	Standard	3.54	708009-1	707339-1X	706040X	707340-1X	76471X	76472X
610811-2	Standard	4.10	708009-2	707339-1X	706040X	707340-1X	76471X	76472X

(7) See Ring Gear & Pinion Kits in XGI Catalog for ratio & tooth combinations.

(8) See Differential Case Assy Kits in XGI Catalog for spline data & ratios.

Dodge Model 60 /248 Disconnect Front Axles

Variable Parts Listing

Kits & Parts - Use With All Applications							
Description & Item Number (Refer to "Exploded View" at the front of this section)			Bills of Material				
			610426	610427	610428 610440	610517 610518	610530
1	Seal - Pinion Oil	8	42449	—	42449	42449	—
2	Slinger – End Yoke	9	34592	—	34592	34592	—
3	End Yoke Assembly (inc 9)	10	2-4-7681-1X	—	2-4-7681-1X	2-4-7681-1X	—
4	KIT - Carrier Cover	-	707335X	—	707335X	707335X	—
5	Pinion - Differential	23	34367	—	34367	46354	—
6	Gear - Differential	24	34394	—	34394	46355	—
7	Thrustwasher - Differential Gear	26	46146	—	46146	46146	—
8	Seal - Tube (left side)	29	620216	—	620216	620216	—
9	Cotter Pin	30	500024-6	500024-9	500024-6	500024-6	500024-9
10	Shaft & Slinger Assembly	-	—	74777X	75689X	75689X	74777X
11	Shaft/Slinger/Tone Ring Assy (ABS)	45	75690X	—	—	—	—
12	Spacer - Flat	47	45935	45935	45935	45935	45935
13	Clutch Collar	65	46401	—	46401	46401	—
14	Seal - Tube (right side)	67	43154	—	43154	43154	—
15	Output Shaft	68	45531	—	45531	45531	—
16	Bushing / Bearing	69	566008	—	566008	566008	—
			610532	610539	610540	610541	610604 610505
1	Seal - Pinion Oil	8	42449	42449	42449	—	42449
2	Slinger – End Yoke	9	34592	34592	34592	—	34592
3	End Yoke Assembly (inc 9)	10	2-4-7681-1X	2-4-7681-1X	2-4-7681-1X	—	2-4-7681-1X
4	KIT - Carrier Cover	-	707335X	707335X	707335X	—	707335X
5	Pinion - Differential	23	34367	46354	34367	—	46354
6	Gear - Differential	24	34394	46355	34394	—	46355
7	Thrustwasher - Differential Gear	26	34729	46146	46146	—	46146
8	Seal - Tube (left side)	29	620216	620216	620216	—	620216
9	Cotter Pin	30	500024-6	500024-6	500024-6	500024-9	500024-6
10	Shaft & Slinger Assembly	-	75689X	—	—	—	—
11	Shaft/Slinger/Tone Ring Assy (ABS)	45	—	75690X	75690X	75356X	75690X
12	Spacer - Flat	47	45935	45935	45935	45935	45935
13	Clutch Collar	65	46401	46401	46401	—	46401
14	Seal - Tube (right side)	67	43154	43154	43154	—	43154
15	Output Shaft	68	45531	45531	45531	—	45531
16	Bushing / Bearing	69	566008	566008	566008	—	566008
			610606	610616	610617	610618	610619
1	Seal - Pinion Oil	8	—	42449	42449	42449	42449
2	Slinger – End Yoke	9	—	34592	34592	34592	34592
3	End Yoke Assembly (inc 9)	10	—	2-4-7681-1X	2-4-7681-1X	2-4-7681-1X	2-4-7681-1X
4	KIT - Carrier Cover	-	—	707335X	707335X	707335X	707335X
5	Pinion - Differential	23	—	46354	46354	46354	46354
6	Gear - Differential	24	—	46355	46355	46355	46355
7	Thrustwasher - Differential Gear	26	—	46146	46146	46146	46146
8	Seal - Tube (left side)	29	—	620216	620216	620216	620216
9	Cotter Pin	30	500024-9	500024-6	500024-6	500024-6	500024-6
10	Shaft & Slinger Assembly	-	—	75689X	—	75689X	—
11	Shaft/Slinger/Tone Ring Assy (ABS)	45	75356X	—	75690X	—	75690X
12	Spacer - Flat	47	45935	45935	45935	45935	45935
13	Clutch Collar	65	—	46401	46401	46401	46401
14	Seal - Tube (right side)	67	—	43154	43154	43154	43154
15	Output Shaft	68	—	45531	45531	45531	45531
16	Bushing / Bearing	69	—	566008	566008	566008	566008

Dodge Model 60 /248 Disconnect Front Axles

Variable Parts Listing

Kits & Parts - Use With All Applications							
Description & Item Number (Refer to "Exploded View" at the front of this section)			Bills of Material				
			610621	610622	610635	610636	610637
1	Seal - Pinion Oil	8	—	42449	42449	42449	42449
2	Slinger – End Yoke	9	—	34592	34592	34592	34592
3	End Yoke Assembly (inc 9)	10	—	2-4-7681-1X	2-4-7681-1X	2-4-7681-1X	2-4-7681-1X
4	KIT - Carrier Cover	-	—	707335X	707335X	707335X	707335X
5	Pinion - Differential	23	—	34367	46354	46354	46354
6	Gear - Differential	24	—	34394	46355	46355	46355
7	Thrustwasher - Differential Gear	26	—	34729	46146	46146	46146
8	Seal - Tube (left side)	29	—	620216	620216	620216	620216
9	Cotter Pin	30	500024-9	500024-6	500024-6	500024-6	500024-9
10	Shaft & Slinger Assembly	-	—	75689X	75689X	—	75689X
11	Shaft/Slinger/Tone Ring Assy (ABS)	45	75356X	—	—	75690X	—
12	Spacer - Flat	47	45935	45935	45935	45935	45935
13	Clutch Collar	65	—	46401	46401	46401	46401
14	Seal - Tube (right side)	67	—	43154	43154	43154	43154
15	Output Shaft	68	—	45531	45531	45531	45531
16	Bushing / Bearing	69	—	566008	566008	566008	566008
			610638	610639	610640	610708	610714
1	Seal - Pinion Oil	8	42449	—	—	42449	42449
2	Slinger – End Yoke	9	34592	—	—	34592	34592
3	End Yoke Assembly (inc 9)	10	2-4-7681-1X	—	—	2-4-7681-1X	2-4-7681-1X
4	KIT - Carrier Cover	-	707335X	—	—	707335X	707335X
5	Pinion - Differential	23	46354	—	—	46354	34367
6	Gear - Differential	24	46355	—	—	46355	34394
7	Thrustwasher - Differential Gear	26	46146	—	—	46146	34729
8	Seal - Tube (left side)	29	620216	—	—	620216	620216
9	Cotter Pin	30	500024-9	500024-9	500024-9	500024-9	500024-9
10	Shaft & Slinger Assembly	-	—	74777X	—	75689X	75689X
11	Shaft/Slinger/Tone Ring Assy (ABS)	45	75690X	—	75356X	—	—
12	Spacer - Flat	47	45935	45935	45935	45935	45935
13	Clutch Collar	65	46401	—	—	46401	46401
14	Seal - Tube (right side)	67	43154	—	—	43154	43154
15	Output Shaft	68	45531	—	—	45531	45531
16	Bushing / Bearing	69	566008	—	—	566008	566008
			610719 610720 610722	610723	610724 610725	610727	610728
1	Seal - Pinion Oil	8	42449	42449	—	42449	42449
2	Slinger – End Yoke	9	34592	34592	—	34592	34592
3	End Yoke Assembly (inc 9)	10	2-4-7681-1X	2-4-7681-1X	—	2-4-7681-1X	2-4-7681-1X
4	KIT - Carrier Cover	-	707335X	707335X	—	707335X	707335X
5	Pinion - Differential	23	46354	46354	—	46354	46354
6	Gear - Differential	24	46355	46355	—	46355	46355
7	Thrustwasher - Differential Gear	26	46146	46146	—	46146	46146
8	Seal - Tube (left side)	29	620216	620216	—	620216	620216
9	Cotter Pin	30	500024-9	500024-9	500024-9	500024-9	500024-9
10	Shaft & Slinger Assembly	-	75689X	—	74777X	75689X	—
11	Shaft/Slinger/Tone Ring Assy (ABS)	45	—	75690X	—	—	75690X
12	Spacer - Flat	47	45935	48355	45935	45935	45935
13	Clutch Collar	65	46401	46401	—	46401	46401
14	Seal - Tube (right side)	67	43154	43154	—	43154	43154
15	Output Shaft	68	45531	45531	—	45531	45531
16	Bushing / Bearing	69	566008	566008	—	566008	566008

Dodge Model 60 /248 Disconnect Front Axles

Variable Parts Listing

Kits & Parts - Use With All Applications							
Description & Item Number (Refer to "Exploded View" at the front of this section)			Bills of Material				
			610729	610730	610731	610732	610738
1	Seal - Pinion Oil	8	42449	42449	—	—	42449
2	Slinger – End Yoke	9	34592	34592	—	—	34592
3	End Yoke Assembly (inc 9)	10	2-4-7681-1X	2-4-7681-1X	—	—	2-4-7681-1X
4	KIT - Carrier Cover	-	707335X	707335X	—	—	707335X
5	Pinion - Differential	23	46354	46354	—	—	46354
6	Gear - Differential	24	46355	46355	—	—	46355
7	Thrustwasher - Differential Gear	26	46146	46146	—	—	46146
8	Seal - Tube (left side)	29	620216	620216	—	—	620216
9	Cotter Pin	30	500024-9	500024-9	500024-9	500024-9	500024-9
10	Shaft & Slinger Assembly	-	75689X	—	74777X	—	75689X
11	Shaft/Slinger/Tone Ring Assy (ABS)	45	—	75690X	—	75356X	—
12	Spacer - Flat	47	45935	45935	45935	45935	45935
13	Clutch Collar	65	46401	46401	—	—	46401
14	Seal - Tube (right side)	67	43154	43154	—	—	43154
15	Output Shaft	68	45531	45531	—	—	45531
16	Bushing / Bearing	69	566008	566008	—	—	566008
			610739	610745	610746	610808 610809	610810
1	Seal - Pinion Oil	8	42449	42449	42449	42449	42449
2	Slinger – End Yoke	9	34592	34592	34592	34592	34592
3	End Yoke Assembly (inc 9)	10	2-4-7681-1X	2-4-7681-1X	2-4-7681-1X	2-4-7681-1X	2-4-7681-1X
4	KIT - Carrier Cover	-	707335X	707335X	707335X	707335X	707335X
5	Pinion - Differential	23	46354	46354	46354	46354	46354
6	Gear - Differential	24	46355	46355	46355	46355	46355
7	Thrustwasher - Differential Gear	26	46146	46146	46146	46146	46146
8	Seal - Tube (left side)	29	620216	620216	620216	620216	620216
9	Cotter Pin	30	500024-9	500024-9	500024-9	500024-9	500024-9
10	Shaft & Slinger Assembly	-	—	75689X	—	75689X	75689X
11	Shaft/Slinger/Tone Ring Assy (ABS)	45	75690X	—	75690X	—	— ⁽⁹⁾
12	Spacer - Flat	47	45935	45935	45935	45935	45935
13	Clutch Collar	65	46401	46401	46401	46401	46401
14	Seal - Tube (right side)	67	43154	43154	43154	43154	43154
15	Output Shaft	68	45531	45531	45531	45531	45531
16	Bushing / Bearing	69	566008	566008	566008	566008	566008
			610811	610812	610813		
1	Seal - Pinion Oil	8	42449	—	—		
2	Slinger – End Yoke	9	34592	—	—		
3	End Yoke Assembly (inc 9)	10	2-4-7681-1X	—	—		
4	KIT - Carrier Cover	-	707335X	—	—		
5	Pinion - Differential	23	46354	—	—		
6	Gear - Differential	24	46355	—	—		
7	Thrustwasher - Differential Gear	26	46146	—	—		
8	Seal - Tube (left side)	29	620216	—	—		
9	Cotter Pin	30	500024-9	500024-9	500024-9		
10	Shaft & Slinger Assembly	-	—	74777X	74777X		
11	Shaft/Slinger/Tone Ring Assy (ABS)	45	75690X	—	— ⁽⁹⁾		
12	Spacer - Flat	47	45935	48355	48355		
13	Clutch Collar	65	46401	—	—		
14	Seal - Tube (right side)	67	43154	—	—		
15	Output Shaft	68	45531	—	—		
16	Bushing / Bearing	69	566008	—	—		

(9) Contact vehicle manufacturer - Tone ring is provided with the hub, rotor and bearing assembly.